

TOHO-RIG LIVEWELL

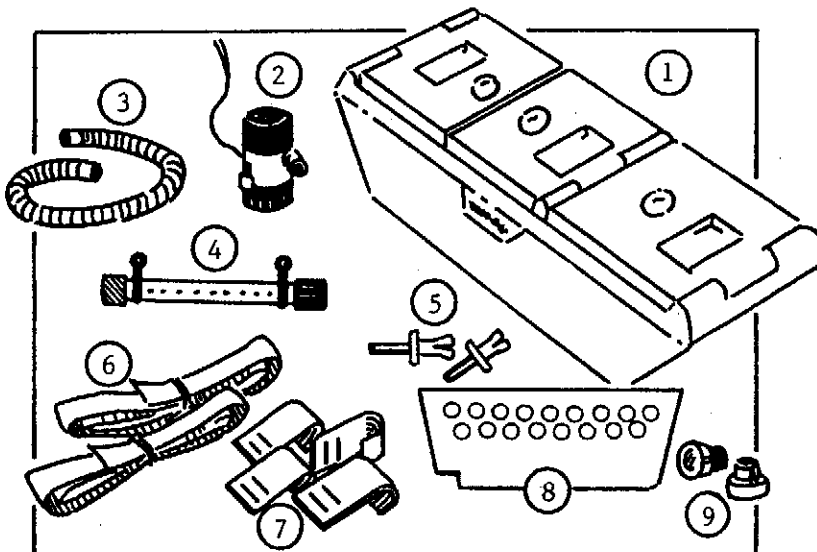
PATENT PENDING

ASSEMBLY INSTRUCTIONS

It is Shingle Creek Outfitters' intention to offer fishermen a durable and economical solution to the age old problem of keeping bait and fish as lively as possible. The TOHO-RIG, as outfitted here, provides fishermen with a simple, highly functional system. But, as you will see in the "Helpful Hints" section of this flyer, your TOHO-RIG can easily be upgraded to do much, much more.

PARTS LIST

1. TOHO-RIG molded container with lids
2. Aerator Pump
3. Flexible Tubing
4. Spray Bar Assembly
5. Plastic Rivets (2)
6. Support Straps (2) 1½" x 4'
7. Galvanized Steel Gunnel Hooks (4)
8. Perforated Divider Plate
9. Rubber Drain Plugs (2)



ASSEMBLY INSTRUCTIONS

TOHO-RIG SUPPORT STRAPS

Roll up one end of one of the support straps as indicated. Insert into one of the pre-drilled holes located at both ends of the livewell container. Carefully pull the strap through the hole to the inside of the livewell leaving approximately 18" outside the unit. Push the same rolled-up end of the strap back out the remaining hole. Adjust until equal lengths extend from both holes.

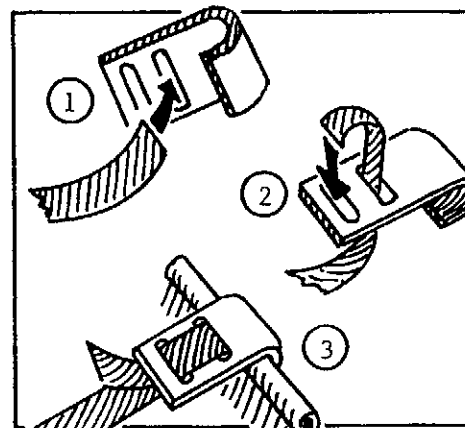
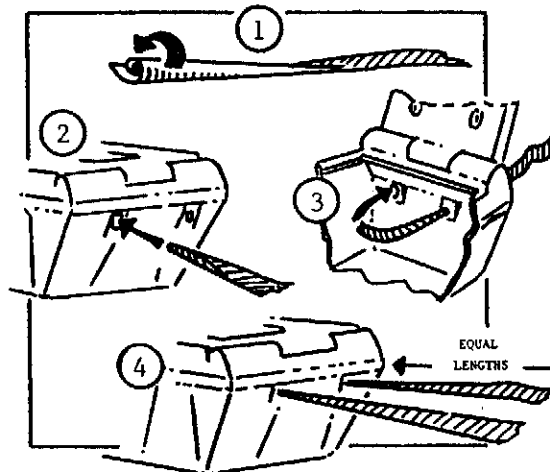
REPEAT THIS PROCESS AT THE OTHER END OF THE LIVEWELL WITH THE REMAINING STRAP.

GUNNEL HOOKS

The hooks provided are intended to help suspend your TOHO-RIG from the gunnels of your boat.

IMPORTANT: IF THE SUPPORT STRAPS ARE NOT THREADED THROUGH THE GUNNEL HOOKS PROPERLY THEY WILL NOT CINCH AND HOLD SECURELY. (PLEASE FOLLOW DIAGRAM)

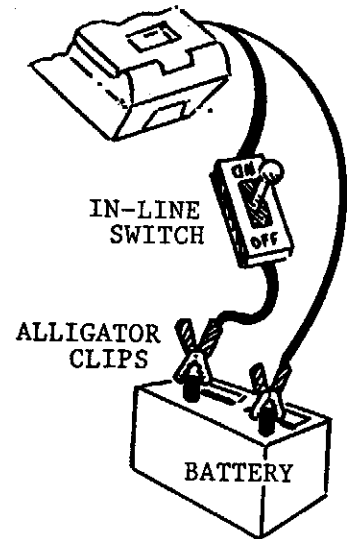
After attaching all four hooks, your TOHO-RIG can be adjusted to fit your boat by cinching each strap individually. For most boats, cinching the TOHO-RIG so that it is suspended and level, just above the bottom of the boat is best.



HELPFUL HINTS CONT....

ELECTRICAL WIRING/SWITCHES/CLIPS

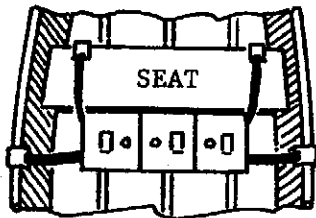
You may find it more convenient to splice on additional wiring (14 or 16 ga.) so that you can store your battery further away from your livewell. Attaching "Alligator Clips" to the ends of the wiring makes connecting and disconnecting much easier. And by adding an in-line SWITCH you will be able to turn the pump on and off intermittantly without having to disconnect from the battery.



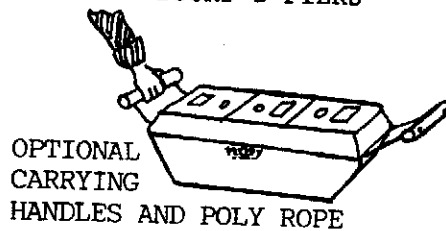
HOOK AND STRAP VARIATIONS

If you will be using your TOHO-RIG in an extra wide boat, on a pontoon or pick-up truck, or on a pier or dock, you may want to use the HOOKS & STRAPS a little more creatively. Since it would be impossible for us to predict all the possible variables, we would like to offer a couple of ideas and suggest you use your imagination from there.

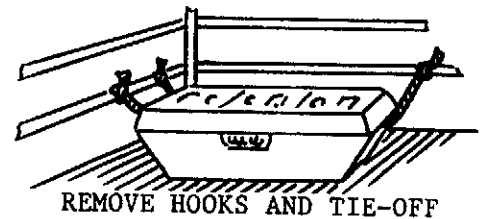
WIDE BOATS



DOCKS & PIERS

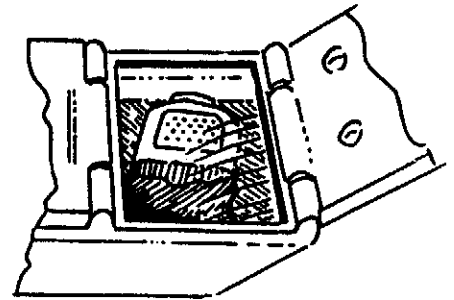


PONTOONS & PICK-UPS



SMALL BAIT - EASY ACCESS

For easier access to small live bait (Missouri/Crappie minnows, crawfish, leeches, etc...) you can simply fill your CENTER STORAGE COMPARTMENT with water. Or, if you would like to keep them in the aerated section of your TOHO-RIG, we suggest you put your small minnow bucket right inside the SPRAY BAR end of the livewell.



SEALING THE "STRAP HOLES"

The Toho-Rig Livewell was designed to be suspended from the sides of smaller boats. When rigging the unit for other purposes, the support straps at both ends of the unit, may be ANGLED DOWNWARD, or simply hang from the unit. At this downward angle, you may see a small amount of water coming from the pre-drilled strap holes. This can easily be stopped with a dab of caulk or by inserting small rubber wedges into each strap hole.

HIGHWAY TRANSPORTATION

IMPORTANT: When towing your boat at high speed with the Toho-Rig installed secure the lids shut by stretching a bunji cord or rope from end to end across the top of the unit. With the livewell empty, it is possible that the draft created by high speed driving, may lift the unit out of your boat.

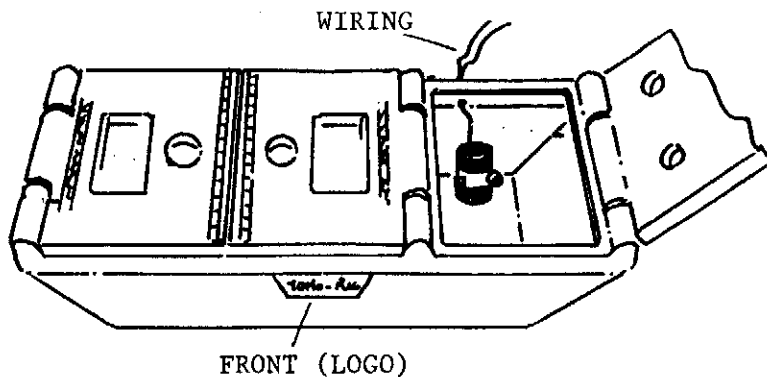
TREATING YOUR LIVEWELL WITH CHEMICALS

The Toho-Rig Livewell is designed to be effective by combining a recirculating aeration system with a tremendous amount of Water Surface Area. Since oxygen is exchanged at the waters surface, it was very important that we include as much Water Surface Area as possible. Treating your live well with a compound like Professional Sporting Goods "Catch & Release" helps to sedate fish, protects them from fungus infection, improves their slime coat and increases their capacity to carry oxygen.

AERATOR PUMP

While facing the front (logo side) of your TOHO-RIG, place the aerator pump inside the right end of the livewell. Carefully thread the pumps wiring out through the small hole in the upper BACK wall.

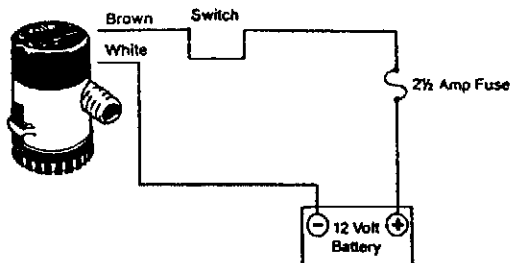
(The following are the pump manufacturers electrical recommendations.)



ELECTRICAL

1. **Wire**—Normal installation requires 16 GA. wire. For installations over 25 ft from the battery, use 14 GA. wire.
5. **Wiring Diagram (with panel switch)**

2. **Polarity**
BROWN pump wire connects to the positive (+) side of the battery. WHITE pump wire connects to the negative (-) side of the battery.
3. **Fuse**—Install 2½ amp fuse in the positive (+) BROWN wire somewhere between the pump and the battery.
4. **KEEP ALL WIRE CONNECTIONS ABOVE HIGHEST POSSIBLE WATER LEVEL** Wire connections should be sealed with rule® HEAVY DUTY MARINE SEALANT to prevent corrosion.

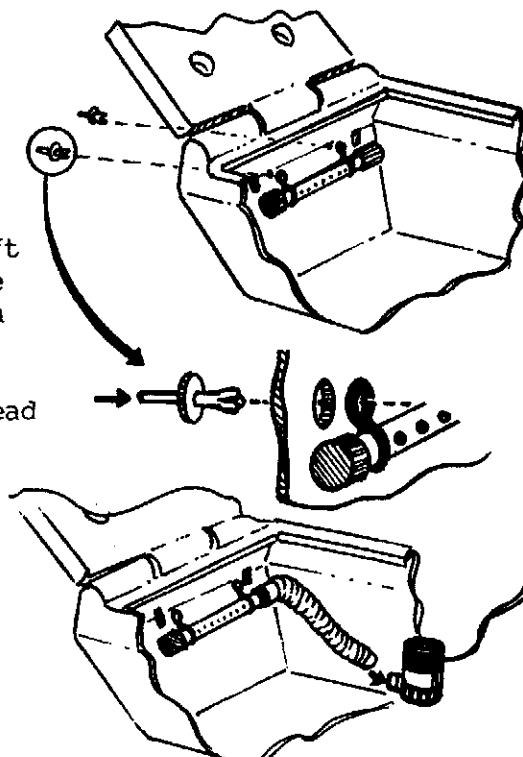


SPRAY BAR ASSEMBLY & FLEXIBLE TUBING

Our new Spray Bar Assembly is designed to be riveted to the INSIDE, LEFT END of the live well. Position the Spray Bar so that the OPEN END (Black End) faces the back of the live well. Align the holes of the two mounting brackets with the pre-drilled holes in the left end wall of the live well. From the OUTSIDE of the live well, insert the split end of one Plastic Rivet through the container wall and its matching spray bar bracket. While holding the mounting bracket in place, TAP the outside STEM of the rivet until it is flush with the Head of the rivet. Align the other mounting bracket hole with the other container hole, and repeat the process.

Attach one end of the Flexible Tubing to the Outlet of the Aerator Pump and the other end to the Open End of the Spray Bar.

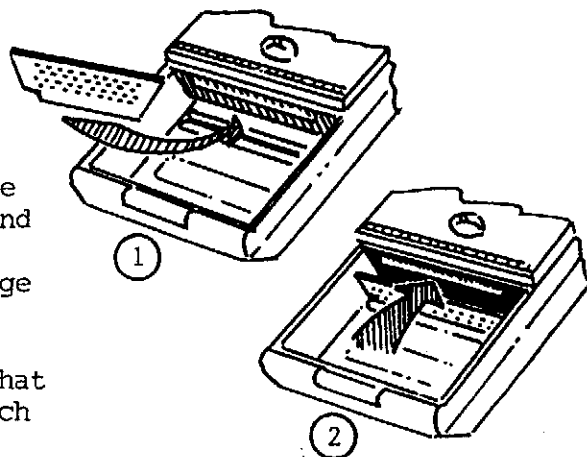
NOTE: The Direction of Water Flow can be adjusted by Turning the Spray Bar inside the Mounting Brackets.



BAITWELL/LIVEWELL DIVIDER PLATE

The bottom, back corner of your Divider Plate is NOTCHED to allow the pumps flexible tubing to pass through to the spray bar. Place the Divider Plate in the Molded Channel on the FLOOR of the left end of the unit with the Notch over the flexible tubing. Then bend the Divider Plate until the TOP snaps into the ridge that is molded into the Side Wall of the Center Storage Compartment.

NOTE: If you are not using live bait, we recommend that you remove the Divider Plate to give the fish you catch access to the entire live well.



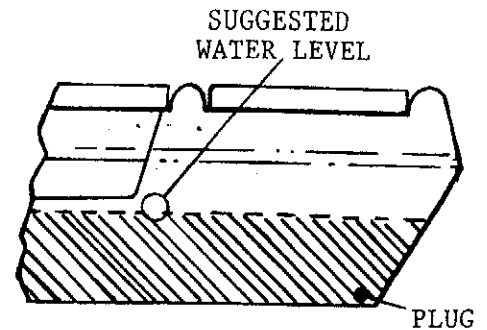
OPERATING YOUR TOHO-RIG LIVEWELL

1. Make sure you have inserted the rubber plug in the drain hole in the bottom, right corner of the front of the livewell. (To avoid water splashing into the CENTER COMPARTMENT, you may want to install that plug now, as well.)

2. Fill the livewell to a level just below the bottom of the CENTER COMPARTMENT. (You can use less water if you only intend to keep a small amount of bait alive. Then add more water as you add fish to the livewell.)

3. Although it is not necessary to run the aerator pump constantly for small amounts of bait, we do recommend that you keep it running for fish and large amounts of bait.

4. At the end of your fishing trip you can drain your Toho-Rig by simply pulling the plug from the bottom of the unit and from the back of your boat. The water will drain out of the live well, then out of the boat. You can also use the aerator to pump the water from the Toho-Rig. Just disconnect the Flexible Tubing from The Spray Bar, aim it out of the boat or into a bucket, and turn it on.



HELPFUL HINTS

Your TOHO-RIG is now ready to go. But as we mentioned in the introduction, there are several things you can do to extend the life expectancy of your livewell and make it more convenient to operate. Most of the additional equipment discussed in this section can be purchased at your local hardware store or ordered directly from SHINGLE CREEK OUTFITTERS.

MAINTENANCE

Regular applications of "Armor-All" or a similar product, to all molded parts will maintain the live wells appearance and extend its life.

Back-flushing the AERATOR PUMP with a regular garden hose will improve its performance and reduce the risk of heat up.

The Spray Bar Assembly can be flushed with the Aerator Pump or a Garden Hose. Remove the Cap from the end of the spray bar and turn on the aerator or flush with a garden hose. If debris blocks the spray holes while you are fishing, you can quickly clear the holes with a Tooth Pick.

WATER TEMPERATURE

Although the double walled lids and water circulation do a good job of keeping the water temperature under control, for those extra hot, extra long days, you may want to occasionally add ice to the livewell.

FILLING & DRAINING THE LIVEWELL

We talked about draining your Toho-Rig in the Operating Instructions above. Filling the live well can be done quickly and easily with the use of a bucket. However, your Toho-Rig can be filled by using the Aeration Pump by adding some extra Flexible Tubing and Electrical Wiring. The exact amount of Tubing and Wire will be determined by the size of your boat. You will need enough Tubing and Wire to reach below the water level outside your boat, to a point inside the live well.

